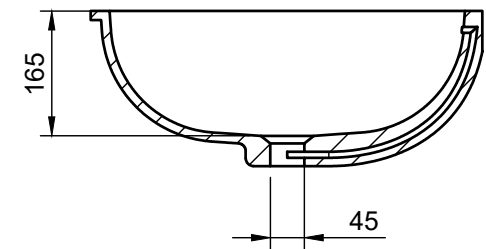
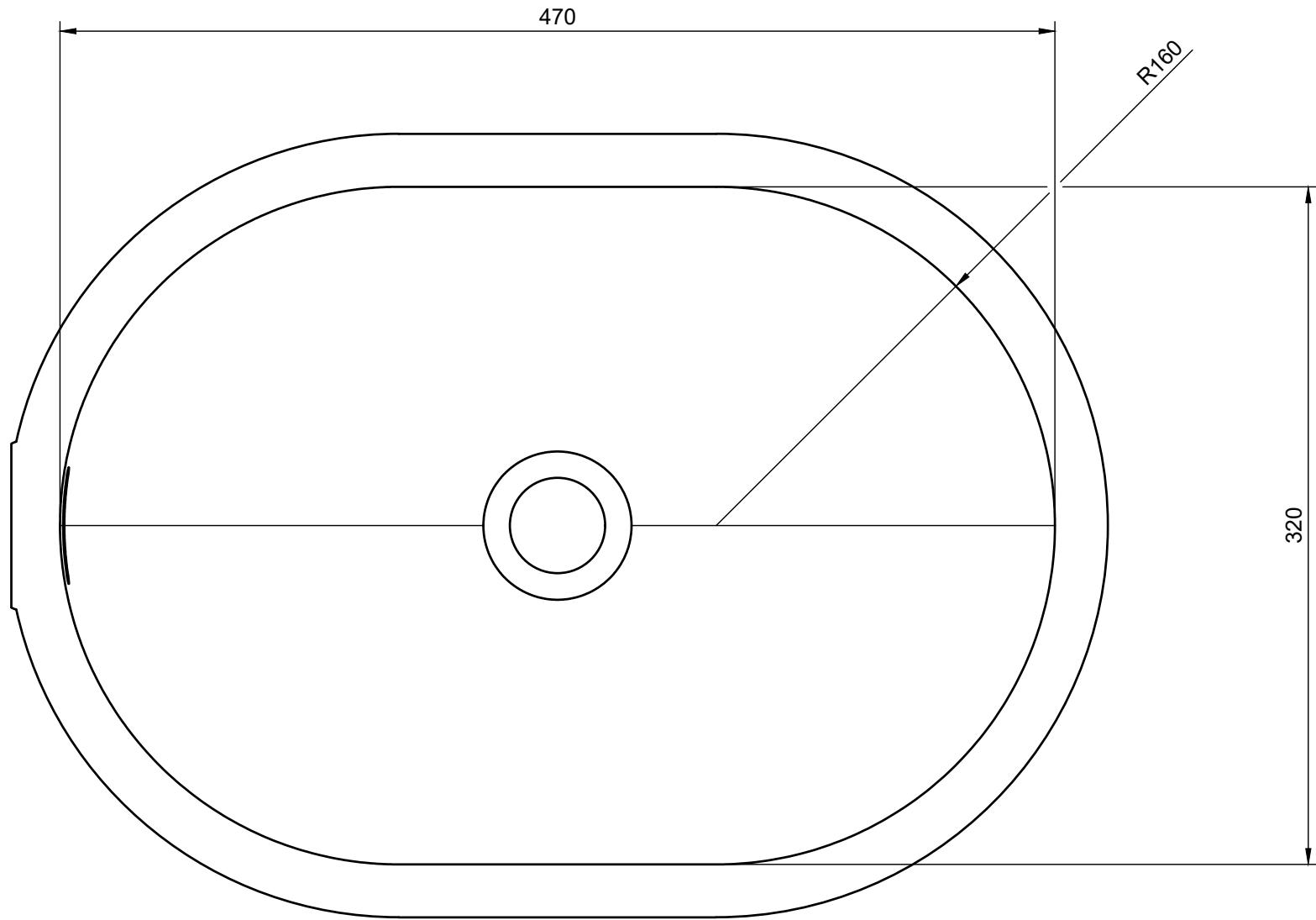


A-A (1:10)





SCALE 1:3

MAINS

Product
HARPER Undermount Basin

Code
HAR007

*Due to varying manufacturing methods,
dimensions are subject to tolerances:
+/- 5mm on Basins & +/- 20mm on Baths.

In instances where accuracy is important,
please refer against actual product.

M.W.C.