

MAINS



Bento For Vessel Basins

M.W.C.

Bento: Vessel Basins

BEN001

Material:
American Oak
Finish:
Satin clear coat

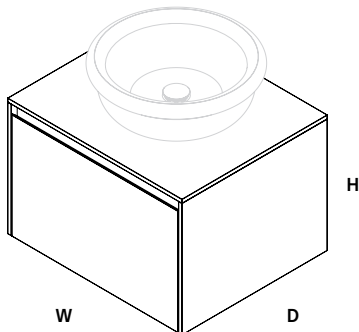


Colour:
Natural
White
Grey
Black
Cream
Nude
Red
Sage
Brick



Product:
Vanity for Vessels

Made in Melbourne



Width Options:

1 x Drawer from 600 to 1100 *

2 x Drawer from 1000 to 2200 *

3 x Drawer from 2200 to 2600 *

DxH

450 x 500 *

Timber Care:

Clean the vanity unit regularly with a damp cloth and a mild cleaner.

Avoid using harsh chemicals as these can damage the unit. Wipe up any spills immediately to prevent staining.

To remove a stain, begin by washing the affected area with soap and water. This alone will remove many stains, provided they are water-soluble.

Do not use an abrasive cleaner.

Light marks can be removed with a mixture of half methylated spirits half water, then wipe dry with a clean soft cloth.

Solid Surface care:

Clean with a soapy sponge, followed by a rinse. For stubborn stains such as lime scale or soap build up use a mild abrasive cleaner like Gumption® paste, Jif® cream or Ajax® cream or powder – use with a soft damp cloth in wide circular motions.

Resin Coat Care

Clean with a neutral, non-abrasive cleaner. Scouring agents/abrasive cleaning agents such as scouring sponges not suitable for cleaning Resincoat. It is best to clean with warm water and then thoroughly rinsed. Smaller scratches can be polished out with

a little skill, in the same way as they can be removed from car paintwork.

Mains Water Co. has detailed, to the best of its ability, the most approximate measurement possible for each product given the method of manufacturing used. Due to varying manufacturing methods, the dimensions illustrated here are nominal and subject to change without notice.

* All sizes nominal.
Basins +/- 5mm
Vanities +/- 5mm.



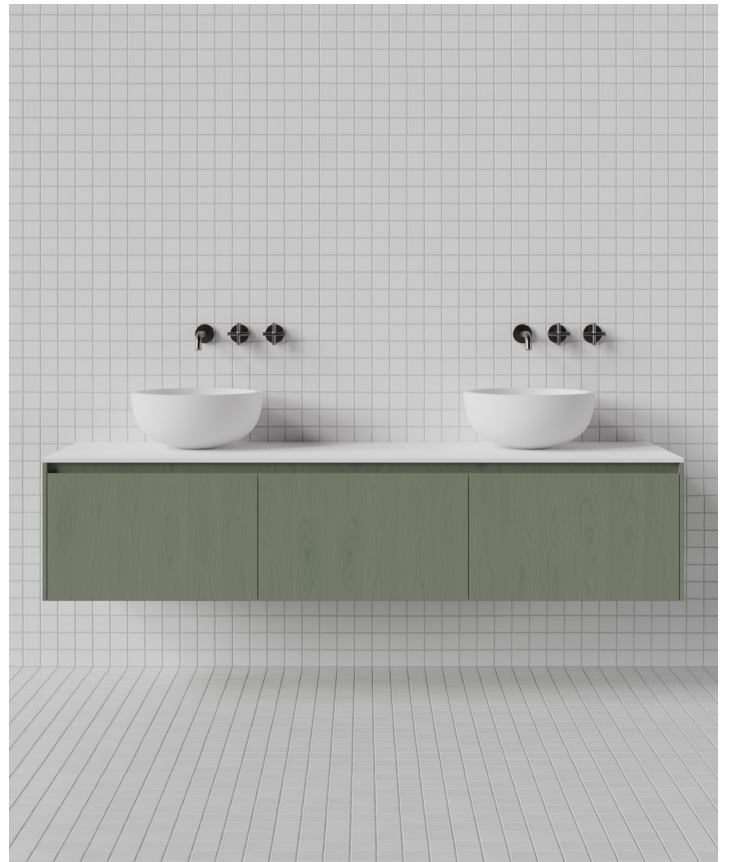
600mm Wide with Uneri Basin
Colour: Brick



1200mm Wide with Orlo Basin
Colour: White



1600mm Wide with Flute Basin
Colour: Natural



1800mm Wide with double Lunar Basin
Colour: Sage